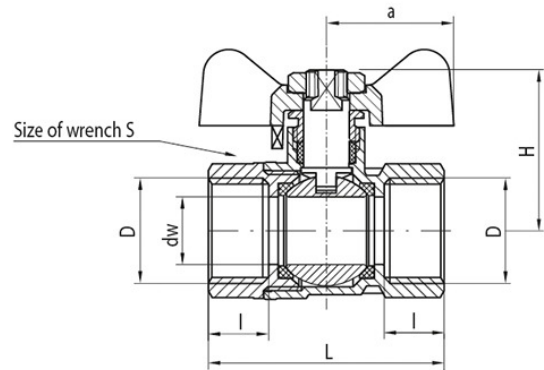


## Ball valves ONYX

Full-port ball valve with nut on stem and aluminium butterfly handle (female-female version)



DN	Code	Dimensions								EAN13
		Size	D	I	dw	L	a	H	S	
15	1452400	1/2"	G1/2	12	13,5	47	25	36	25	5907451933152
20	1453400	3/4"	G3/4	12	18,5	55	25	40	31	5907451933220
25	1454400	1"	G1	14,5	23,5	65	32,5	47	38	5907451933299

### Product usage:

In the water supply systems for hot and cold water, heating systems, solar systems with glycol water solution as shut-off valves to open and close the flow.

### Type:

Straight ball valves

### Technical data/Operating parameters:

Max pressure: 4,0 MPa

Max temperature: 180°C

### Guarantee:

25-year

### Used materials:

body, nut, ball, stem, adjustable stem nut: brass;  
ball and stem seal: PTFE (teflon);  
butterfly handle: aluminium alloy

### Finish:

body, nut: nickel; ball: chrome