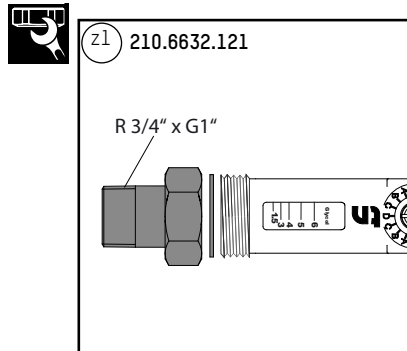
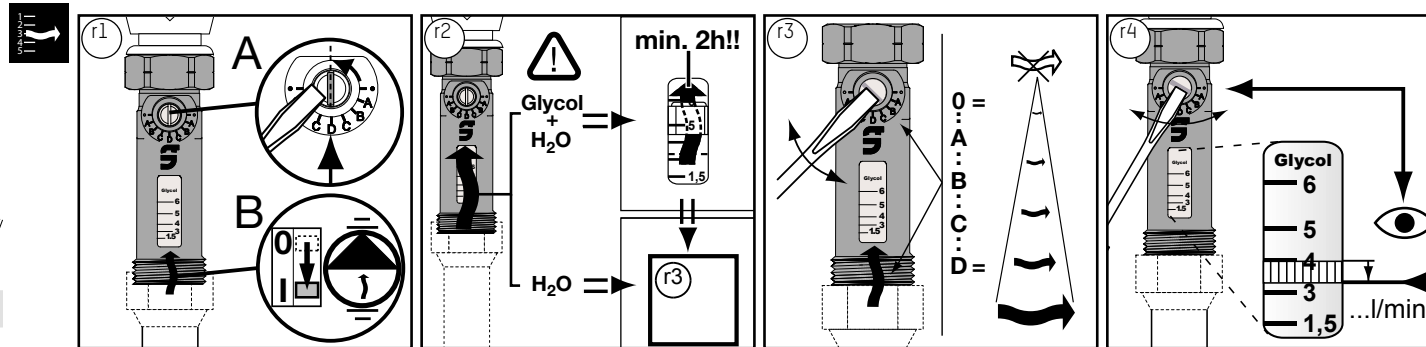
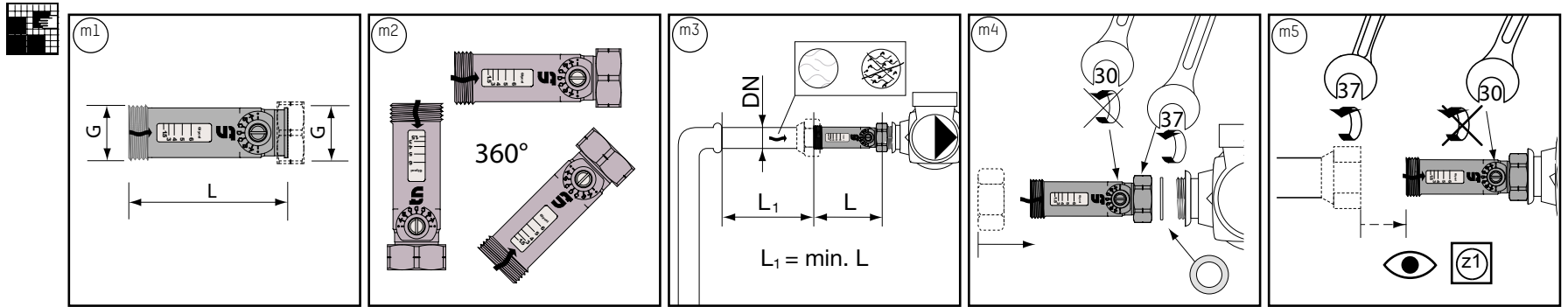


DN	6 x (PF)	L (mm)	
20	1" x 1"	96	30 37

TB	130°C	
PB	8 bar	

TB	100°C	
PB	10 bar	



...etc.